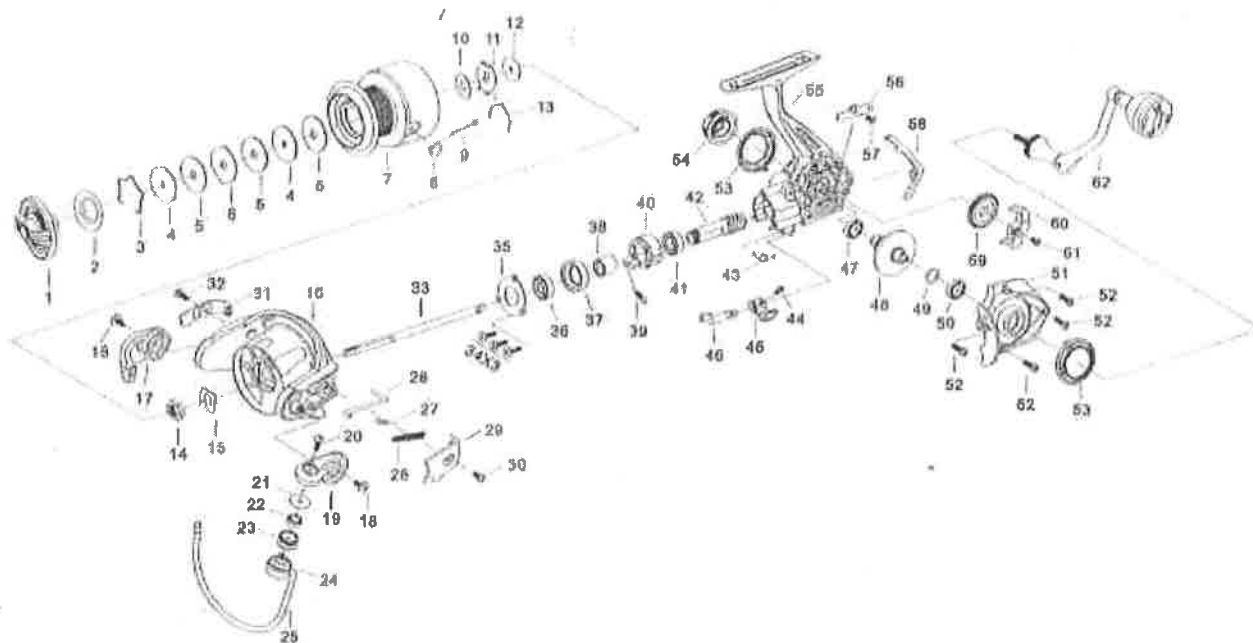


SEAHAWK®
NEMEXUS



- | | | | |
|----------------------|-------------------------|----------------------------|---------------------------|
| 1, Ornament Knob | 17, Bail Holder | 33, Main Shaft | 49, Drive Gear Washer |
| 2, Rubber Ring | 18, Screw | 34, Screw | 50, Ball Bearing |
| 3, Spool Stop Ring | 19, Bail Arm | 35, Retainer | 51, Body Cover |
| 4, Key Washer | 20, Screw | 36, Ball Bearing | 52, Screw |
| 5, Drag Washer | 21, Roller Washer | 37, Bearing Bushing | 53, Ornament Body |
| 6, Eared Washer | 22, Roller Bearing | 38, Bearing Inner Ring | 54, Handle Cap |
| 7, Spool | 23, Roller | 39, Spring | 55, Body |
| 8, Line Hook | 24, Bail Nut | 40, One Way Clutch Bearing | 56, Slider Retainer Plate |
| 9, Spring | 25, Bail Assy | 41, Ball Bearing | 57, Screw |
| 10, Bearing Retainer | 26, Bail Button Pole | 42, Pinion Gear | 58, Ornament Body |
| 11, Click Fixed Seat | 27, Bail Arm Lever | 43, Spring | 59, Gear |
| 12, Washer | 28, Spring | 44, Screw | 60, Slider |
| 13, Click | 29, Bail Arm Side Cover | 45, Anti-reverse Lever | 61, Screw |
| 14, Rotor Nut | 30, Screw | 46, Anti-reverse Bolt | 62, Handle |
| 15, Rotor Retainer | 31, Bail Arm Side Cover | 47, Ball Bearing | |
| 16, Rotor | 32, Screw | 48, Drive Gear | |